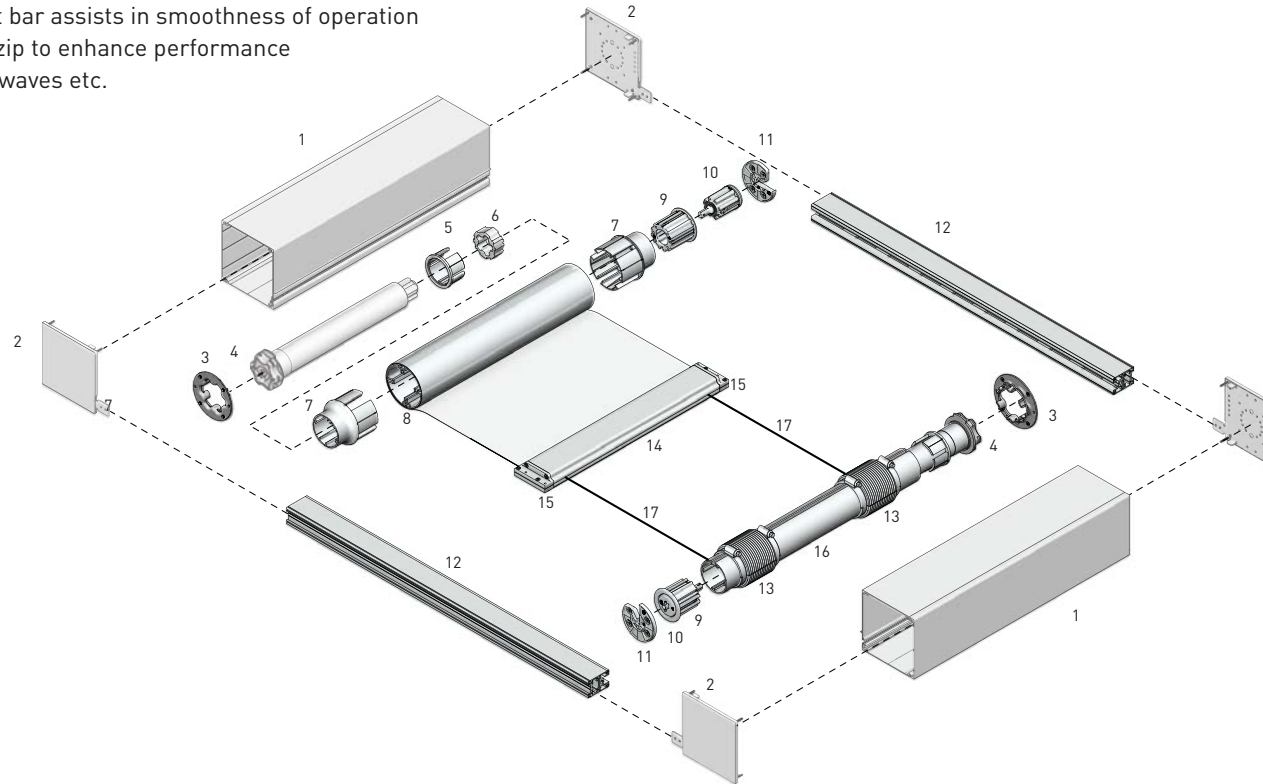


OVERVIEW: z-LOCK SKYLIGHT SYSTEM INFORMATION

The z-LOCK Skylight System provides a unique solution for light block out.

FEATURES/BENEFITS

- Motor to motor combination to keep fabric constantly tensioned and taut
- Zip is held within side rails to eliminate sagging
- Head boxes hide components and mechanisms
- System can be custom colour matched
- Assists in energy saving, heat and noise insulation
- Heavy duty weight bar assists in smoothness of operation
- Reducers collect zip to enhance performance of fabric avoiding waves etc.



SYSTEM INDEX

- | | |
|----|---------------------------------|
| 1 | Box 120 Back, Front, Cover |
| 2 | Box 120 End Plates & Covers |
| 3 | M50 Motor Adaptor |
| 4 | M50 Motor Adaptor Head Plate |
| 5 | M50 Crown Wheel |
| 6 | M50 Drive Wheel |
| 7 | SYS60 Reducer |
| 8 | SYS60 80HD tube |
| 9 | RB10 Tube Adapter |
| 10 | RB10 Idler Booster Head |
| 11 | RB10 Idler Booster Head Bracket |
| 12 | 33 x 48 Side Guide |
| 13 | Wire Drum |
| 14 | HD Hem Bar |
| 15 | HD Hem Bar End Caps |
| 16 | SYS60 60STD tube |
| 17 | Wire Rope |

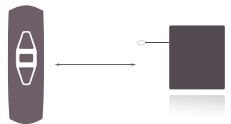
ALUMINIUM TUBES

SYS60 | 60STD tube

SYS60 | 80HD tube

TENSIONING OPTIONS

MOTOR TO CONSTON



MOTOR TO SPRING

